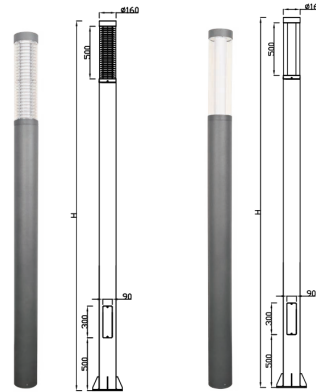


# HISENS

## HSDLG-LED-043-BOLLARD LIGHT

Bollard Lights



## SPECIFICATIONS

Wattage: 30W / 40W / 50W	Input Voltage: 220V
Frequency: 50/60Hz	Dia (N2): 160mm
CCT: 2700K-6500K	IP Rating: IP65
Lumen: 2400lm / 3200lm / 4000lm	Body Color: Black / Silver
IK Rating: 8	LED Type: COB LED Chip
Color Rendering Index: 80Ra	Warranty: 5 Years
Body Material: Die Cast Aluminium	

